

Ball valve 111

- Female thread 3/8" - 2"
- Full flow valve
- Double stem gaskets
- Drainage valve



Description

Ball valve.

Construction

Ball valve in nickel-plated brass with full flow (bore), gaskets in PTFE and NBR. Connection female thread 3/8" - 2". High neck for insulation penetration. Drainage valve with gaskets in NBR and PTFE. Steel handle and T-handle in aluminium.

Marking

DN, PN, flow direction arrow and company logotype.

Maintenance

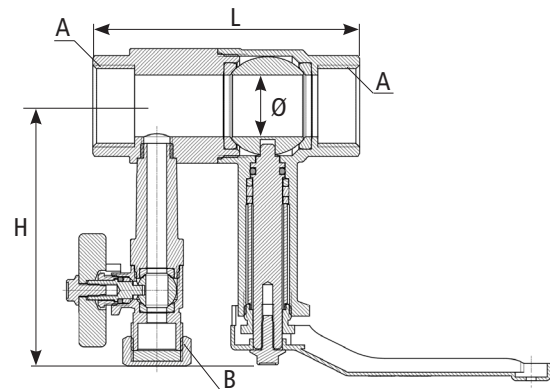
The ball valve must be operated periodically, two to three times a year.

Technical data

Body Nickel-plated brass CW617N
 Ball seal PTFE
 Stem gasket PTFE and FPM (Viton)

Drainage valve
 Gaskets NBR and PTFE

Maximum working pressure: 40 bar
 Maximum working temperature: +100°C
 Minimum working temperature: -10°C



Item number	Description	Connection thread A	Connection thread B	Length L	Centrum height H	Bore Ø	Weight (kg)
0411110000	Ball valve 111-10, 3/8"F, drainage	3/8"F	3/8"M	83	102	10	0,58
0411115000	Ball valve 111-15, 1/2"F, drainage	1/2"F	3/8"M	92	104	15	0,70
0411120000	Ball valve 111-20, 3/4"F, drainage	3/4"F	3/8"M	98,5	105,5	20	0,89
0411125000	Ball valve 111-25, 1"F, drainage	1"F	3/8"M	108,5	112	25	1,19
0411132000	Ball valve 111-32, 1 1/4"F, drainage	1 1/4"F	1/2"M	117	121	32	1,84
0411140000	Ball valve 111-40, 1 1/2"F, drainage	1 1/2"F	1/2"M	123	129	39	2,30
0411150000	Ball valve 111-50, 2"F, drainage	2"F	1/2"M	134,5	146	48	3,40

All dimensions in millimetres

Subject to technical changes and corrections without notice